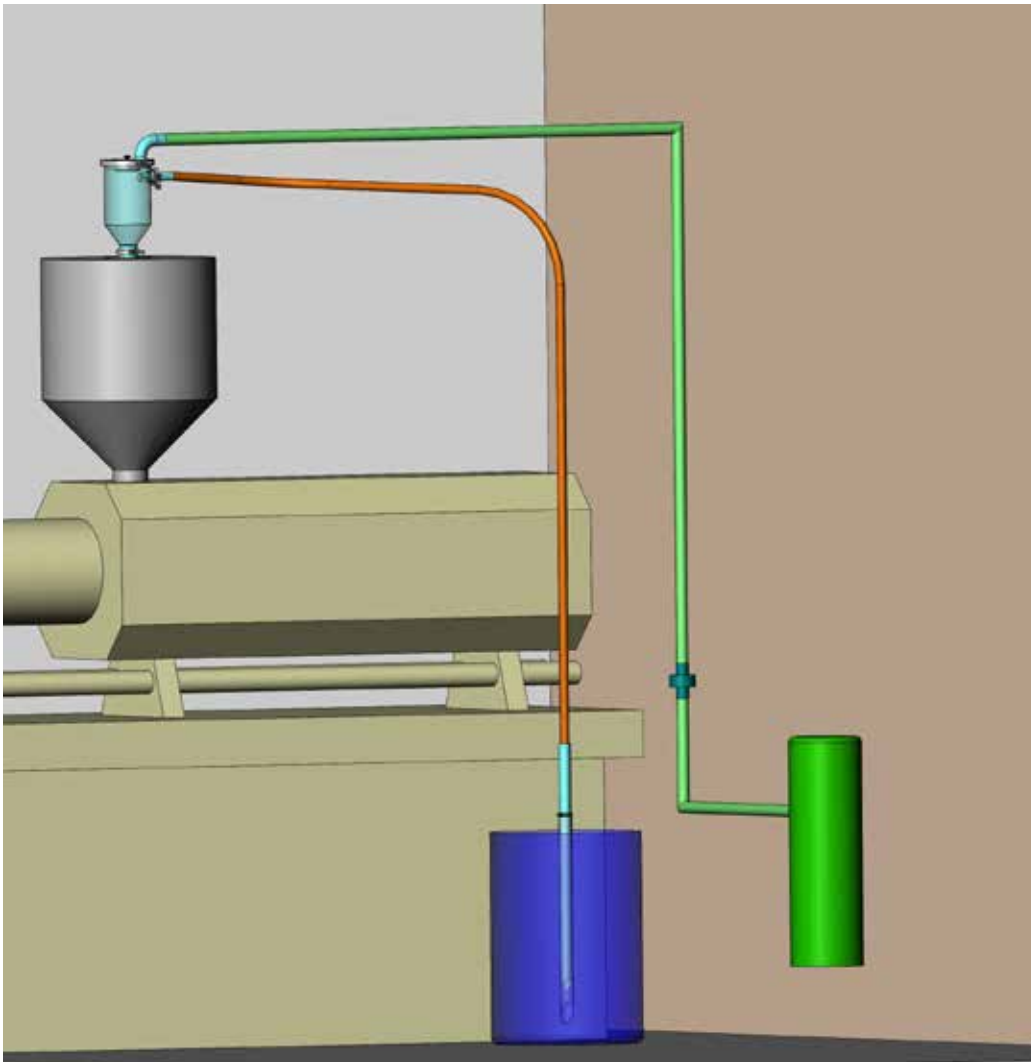


Never clean a filter! No dust on your machine or any where else!



- No more climbing up ladders to lift heavy motors and clean filters
- Competitive pricing.
- Super quiet operation.
- Large self-cleaning filters.
- Easy to clean stainless steel vacuum chambers.
- Powder filters for dusty regrinds and powder are available.
- Convey up to 450 feet. Convey up to 3000 pounds per hour. Reduce injuries from falls and strains.

Our motors last longer than our competitors with brush-less motors and cost much less!

Choose the right components for any application.



Polished Stainless steel vacuum chambers  
Fines separators  
Powder filters  
2 material valves

PLC controls  
Single station  
2 material valves  
Multiple stations

VACs  
ShopVac  
Central Vac  
Regenerative blower

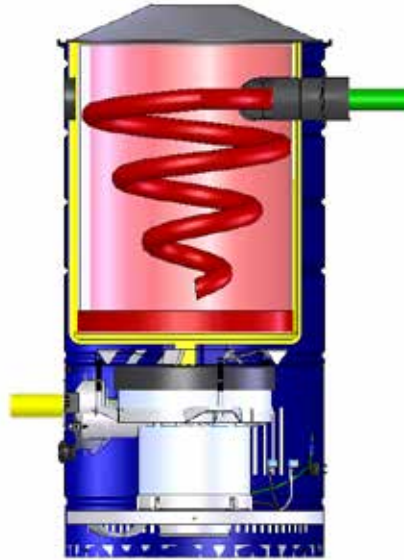
Accessories  
Wands  
Fluidizers  
Vibrators  
Sight-glasses

**Amazing Quality!**

# AAEdirect

## RemoteVac Hopper Loader

New Vac. Never clean a filter again!  
No dust on your machine or any where else.



Adhesive seal for used bags.

Powerful Vac that is so quiet you may not know when it is running.

Floor level maintenance. No more climbing up on machines.

Large capacity bag will take weeks or months to fill.

Hepa bag filter will keep the dust out of your plant.

Inexpensive bags.

Bags have a seal to prevent leakage after replacement.

No tools needed to change bag.

Small foot-print.

**Our motors last longer than competitors brush-less motors.**

## RemoteVac PLC Control



- Full featured PLC Control
- On/Off circuit breaker
- Plc based Control
- Plain English display
- Adjustable load and dump time
- Filter pulse cleaning control
- Two material valve control
- Purge valve control

## Choose your Vacuum Pump

### RemoteVac

Convey up to 2400 pounds per hour.  
Convey up to 100 feet.



- Low cost
- Ametek long life motor
- Very quiet operation <76 db
- Very large holding capacity
- Cyclone dust separator
- Large self-cleaning bag filter
- Portable for remote cleaning
- Small foot print

### Regenerative Blower

Convey up to 3000 pounds per hour.  
Convey up to 500 feet.



- Long life single or 3 phase motor
- High vacuum power
- Separate cyclonic dust collector
- Very large holding capacity
- Vacuum breaker valve
- Vacuum relief valve

Never clean a felt filter over a machine again!

Amazing Quality!

## Choose your vacuum chamber.

Up to 100 pounds per hour  
5 Pounds @ 35# Cu. Ft.



Fines Separator



Up to 350 pounds per hour  
15 Pounds @ 35# Cu. Ft.



Up to 2400 pounds per hour  
50 Pounds @ 35# Cu. Ft.



Clamp-On filters for powders  
and dusty regrind.



The PS8 chamber is designed for applications under 100 pounds per hour. It is available as a hopper loader or mounted on several sizes of sight glasses, with and without a flapper valve.

The PS8X chamber is designed for applications under 350 pounds per hour. It is available as a hopper loader or mounted on several sizes of sight glasses, with and without a flapper valve.

The PS14 chamber is designed for applications under 2400 pounds per hour. It is available as a hopper loader or mounted on several sizes of sight glasses, with and without a flapper valve.

Optional bag filters feature 16" X 4" snap in bag filters for powders and dusty regrind. The snap-in feature makes them easy to access. An 8 port venturi is used for filter cleaning.

All RemoteVac Vacuum Chambers are central loading ready!

## Amazing Quality!

Multiple station systems per-wired and ready to run.



Shown with optional color touch display.

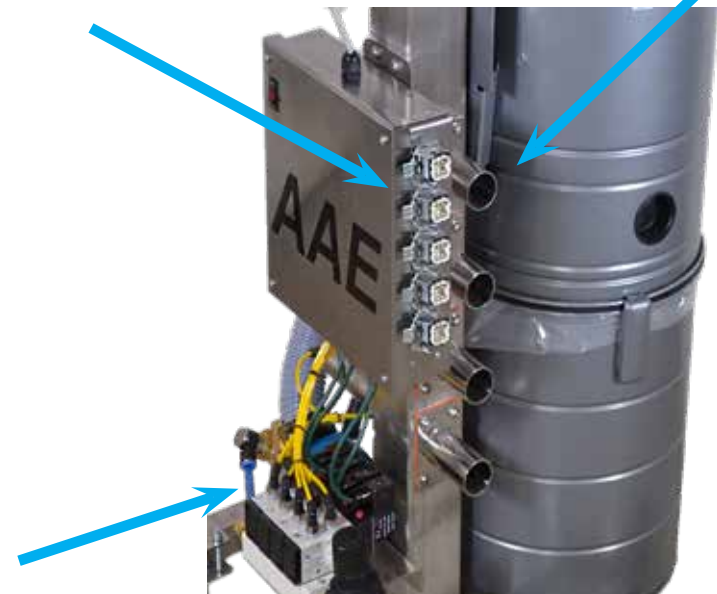


We have solutions for loadings cells with multiple stations. Designed to load machines, dryers, blenders and feeders. The are available for groups of machines and 2 material valves.

Your plug and go solutions.

Connectors for field wires, with screw type terminals

Vacuum lines are extend from the frame.



Fully assembled pneumatic manifold.

Amazing Quality!

## Choose your accessories



### Two material valves

Heavy stainless steel construction, designed for glass filled materials. Easy access to seals. Access in front and bottom for cleaning. Replaceable inlet tubes.

### Sight Glasses

A full range of sight glasses are available from 2 to 6 inch with capacities up to 8 pounds.



### Dust Collectors

If you have excessive dust these cyclonic dust collectors are the answer. They feature a double cyclonic design with a large holding capacity.



### Stainless steel adjustable wands.

Our wand can solve problems other cannot. The standard wand is fully adjustable. For difficult material we can add vibrators and fluidizers.

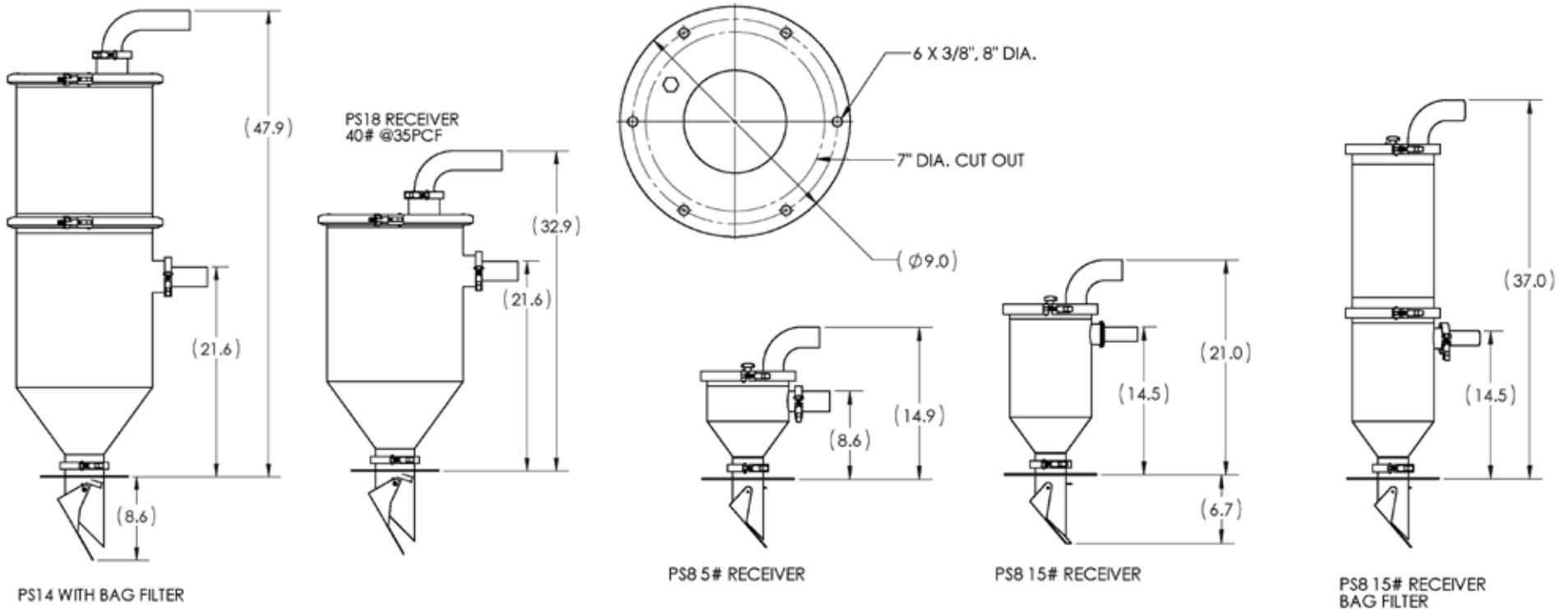


### Drop-in magnets.

You can drop in a standard or rare earth magnet to catch ferrous metals.

**If you need something special give us a call. We offer many options not shown here and we frequently make custom systems.**

## Dimensions





**AAE**direct

# RemoteVac Hopper Loader



Stainless Steel  
Fines separator

**Amazing Quality  
Great Price!**

It will be hard to compare a RemoteVac Loader to any competitor because we offer so many standard features and options. Our competitors cannot match our features at any price.

Clamp-On  
Hose connection

360 Degree chamber  
orientation

Machined material  
valve with magnet  
switch

**CALL NOW!  
(800) 918-5820**

**AAE**direct.com

**AAE** ADVANCED AUXILIARY EQUIPMENT, INC.  
P.O. BOX 568  
MATHEWS, VA 23109